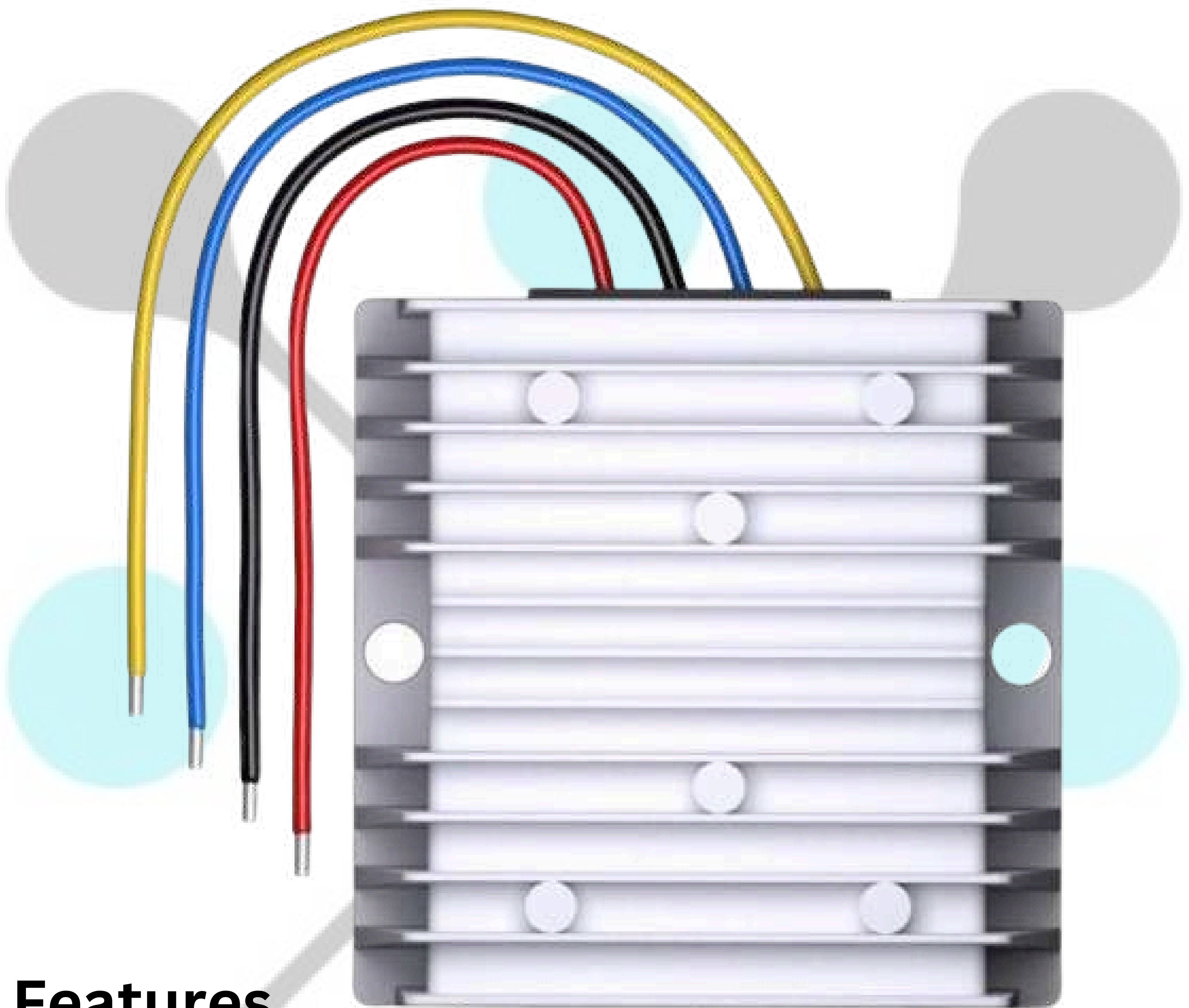


Input Voltage	Output voltage	Output current	Output Power	Dimension
75-145V	19V	6A	114W	74x74x32mm



Features

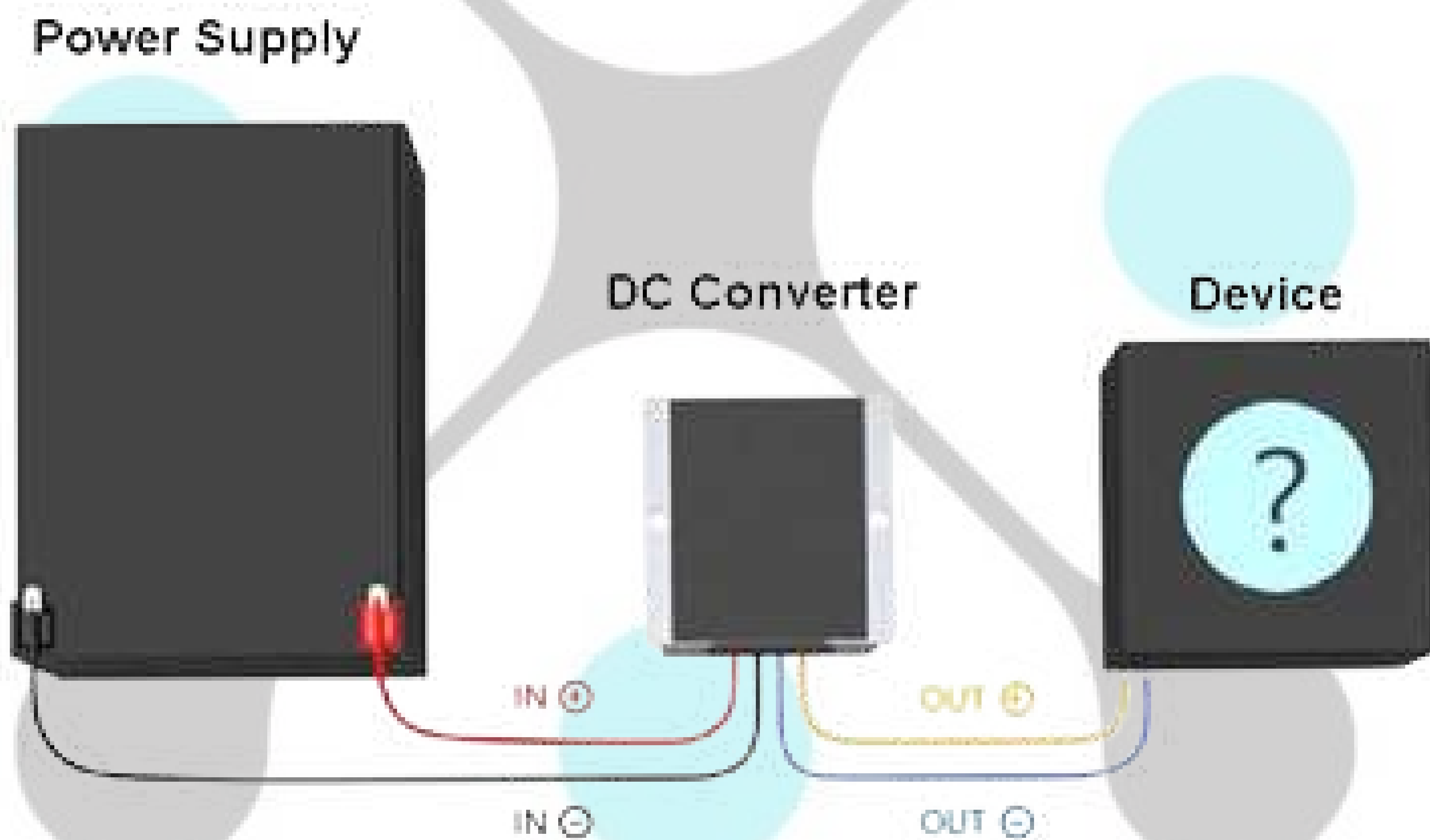
- **Wide Input:** Accepts 75-145V DC.
- **Stable Output:** Provides 19V 6A.
- **High Power:** Up to 114W output.
- **IP68 Waterproof:** Fully dustproof and waterproof.
- **High Efficiency:** Minimal energy loss.
- **Overload Protection:** Prevents damage under high load.
- **Short-Circuit Protection:** Ensures safety in fault conditions.
- **Over-Temp Protection:** Shuts down if overheated.
- **Durable Build:** Compact, aluminum housing.
- **Versatile Use:** Ideal for automotive, industrial, and solar.

Datasheet

Mode	RW-267-75-145-19-114W		
Input	Rated Voltage	V	120
	Voltage range	V	75-145
	Efficiency	%	Upto 91
Output	Voltage	V	19
	Max current	A	6
	Max Power	W	114
	Voltage regulation	%	±1
	Load Regulation	%	2
	No load loss	mA	70
	Ripple noise	V	300(full load)
Working Environment	Temperature	°C	-40 to 80
	Humidity	RH	10% to 90%
	Storage Temp	°C	-40 to 100
Protection Function	Short circuit		Yes
	Over current		Yes
	Waterproof		IP68
	Over temperature		Yes
	Over voltage		Yes

Mode	RW-267-75-145-19-114W		
Mechananical	Weight	kg	0.3
	Size	mm	74x74x32
Other	Cooling		Free air convection
	Packing		In box packing

Wires Connection



Installation size

