

Input voltage	Output voltage	Output current	Output power	Efficiency	Size
8-36V DC	5V DC	15 Amps	75 Watts	94%	74*74*32mm

The RW-932-12-24-5V-75W is a Non-isolated DC-DC converter that uses a synchronous rectification technology, and features high efficiency and power density. It has the dimensions of 74*74*32mm(2.91 in. x 2.91 in. x 1.26 in) and provides the rated output voltage of 5V and the maximum output current of 15A.



Features

- Design meeting RoHS / CE
- High efficiency: 90.8% (@ 24Vin, 25°C)
- Import capacitors, high reliability
- Output transient absorption protection
- Support -40 °C environment
- 100% full load burn-in test
- 3 month warranty
- Remote ON/OFF control (optional)
- Waterproof level IP68

Applications

- Industrial
- Alternative Energy
- Golf Cart
- Forklift
- Electromotor
- Telecommunications
- Boat & Yacht
- Medical
- LED Marketplaces and so on.

Model naming method
 RW-932-12-24-5V-75W

RW-932: SKU NAME
 12V Input voltage
 5V : Output voltage
 75W: Output Power

Electrical Specifications

Conditions: TA = 25 °C (77°F), Airflow = 1 m/s (200LFM), Vin =24V, Vout =5V, unless otherwise specified

Parameter	Min.	Typ	Max.	Units	Remarks
Absolute maximum ratings					
Operating ambient temperature	-40	-	+50	°C	
Shell ambient temperature	-40	-	80	°C	
Storage temperature	-55	-	100	°C	
Operating humidity	5	-	95	%	Non-condensing
Atmospheric pressure	62	-	106	Kpa	
Altitude	-	-	4000	m	
Cooling way	-	-	-		Natural cooling

Input characteristics

Input voltage	8	24	36	V	-
Max. input voltage	-	-	36	V	Continuous
Undervoltage shutdown	7.2	7.3	7.4	V	Automatic recovery
Undervoltage recovery	7.9	8.0	8.1	V	Automatic recovery
Max. input current	-	-	11	A	Vin =8V; Iout =15A
No load current	-	19	23	mA	Vin =24V

Positive electrode cable	14	-	-	AWG	If the wire length is greater than 50cm, it is recommended to use a thicker wire diameter.
Negative electrode cable	14	-	-	AWG	
Enable PIN cable	/	NA	-	AWG	If the product has this feature
Fuse	-	20	-	A	Input positive has built-in fuse

Output characteristics

Efficiency	-	92.8	-	%	Vin =24V; Iout =15A
Output voltage	4.9	5.0	5.2	V	Vin =24V; Iout =15A
Regulator accuracy	-	±1	-	%	
Voltage regulation	-	±1	-	%	
Load Regulation	-	±1	-	%	
Overvoltage protection	-	6.5	7	V	
Output current	0	-	15	A	
Overcurrent protection	18	24	28	A	Vin=24V
External capacitance	0	NA	-	μF	Don't need
Output ripple and noise	-	50	60	mVp-p	Vin =8-36V; Iout=15A, Oscilloscope bandwidth: 20 MHz
Output voltage rise time	-	55	70	mS	
Boot delay time	-	67	80	mS	
Out voltage overshoot	-	3	5	%	Vin =24V, 50%-75% Load step
Over temperature protection	-	-	100	°C	Shell temperature, @ 100°C Restore working
Short circuit protection	-	YES	-		Long-term (4 hours) short circuit is not damaged, Hiccup mode
Positive electrode cable	14	-	-	AWG	If the wire length is greater than 50cm, it is recommended to use a thicker wire diameter.
Negative electrode cable	14	-	-	AWG	

Feature Description

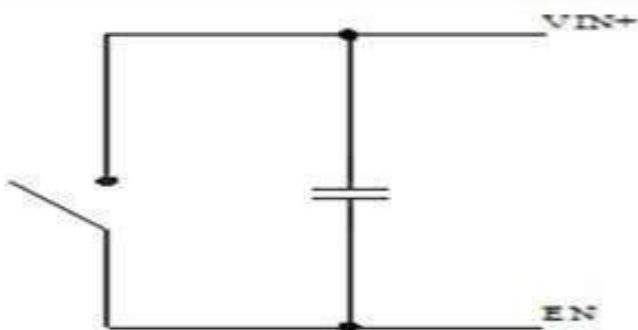
Remote On/Off (EN) (Optional)

Logic Enable	Low level (0 - 18Vdc)	High level (18-36Vdc)	Left open
Positive logic	Off	On	Off

Input Undervoltage Protection

The converter will shut down after the input voltage drops below the under-voltage protection threshold for shutdown. The converter will start to work again after the input voltage reaches the input under voltage protection threshold for startup. For the Hysteresis, see

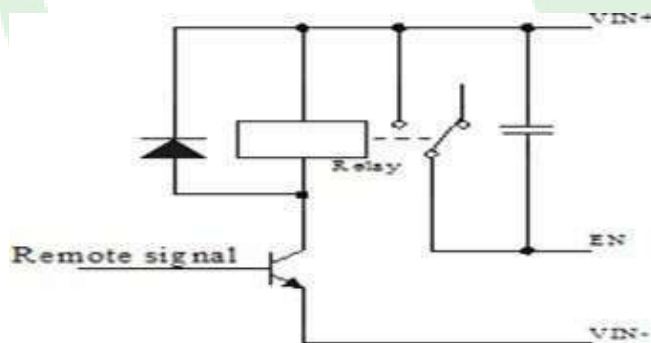
Various circuits for driving the EN



Simple control

Output Overcurrent Protection

The converter equipped with current limiting circuitry can provide protection from an output overload or short circuit condition. If the output current exceeds the output overcurrent protection set point, the converter enters hiccup mode. When the fault condition is removed, the converter will automatically restart.



Transistor control

Wiring Instructions

The input and output of this product is terminals. The user should ensure that the input and output wires and terminals are connected reliably, and pay attention to the wire diameter to meet the requirements of the power supply current. If the cable to be used is long, it needs considering the voltage drop of the wire, if the voltage drop is too large, the voltage output at the load end may not meet the load demand. In this case, consider using a thicker wire diameter or reducing the length of the wire. Generally, if long wiring is required, long line should be used on the side where the current is relatively small. For example, this product is a step-down product, so long lines should be used on the input side.

DIAGRAM WIRING

INPUT+ TO BATTERY+

INPUT- TO BATTERY-

OUTPUT+ TO LOAD+

OUTPUT- TO LOAD-

Notes: Never reverse the input polarity, or it burns the converter.

REVISION HISTORY

rev.	description	date
1.0	initial release	April 2022
2.0	revision	Nov 2024

Typical Waveforms

Conditions: TA = 25°C (77°F), Vin = 24V, unless otherwise specified.

Figure 4, 25% - 50% load dynamic



Figure 5, 50% - 75% load dynamic

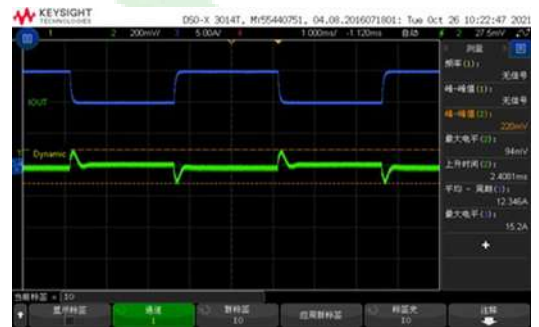


Figure 6, Output voltage established (Iout = 15A)



Figure 7, Output ripple & noise (Iout = 15A)

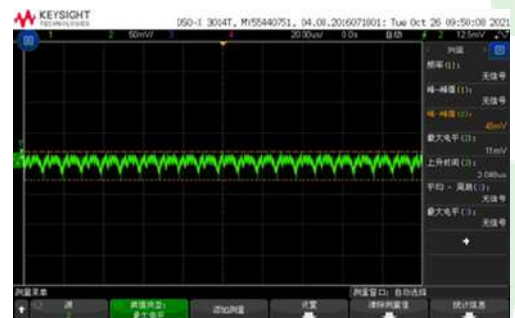
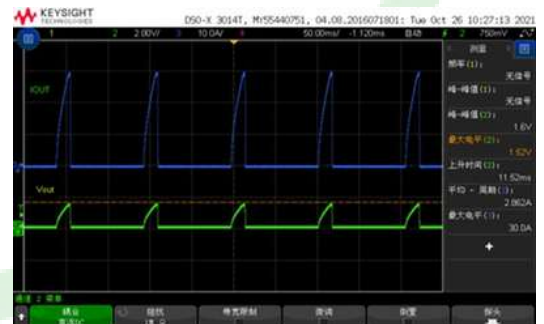


Figure 8, Boot delay time



Figure 9, Short circuit & Output voltage



Safety and EMC features

Anti-electric Strength	Input to Output		V	Leakage current $\leq 3.5\text{mA}$, 1min, no breakdown, no arcing
	Input to Shell	≥ 500	V	
	Output to Shell	≥ 500	V	
Insulation resistance	Input to Output	≥ 10	$M\Omega$	Test voltage = 500V
	Input to Shell			
	Output to Shell			

Other characteristics

Weight	≤ 290	g	
Package	White box		
MTBF	$\geq 200,000$	H	$V_{in} = 24V; I_{out} = 15A$
Switching frequency	100 ± 10	KHz	

Characteristic Curves

Conditions: $T_A = 25^\circ\text{C}$ (77°F), $V_{in} = 24V$, $V_{out} = 5V$, unless otherwise specified.

Figure 1, Efficiency

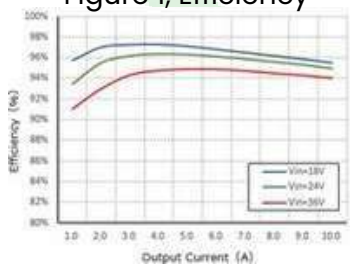


Figure 3, Input V-I, Iout=15A

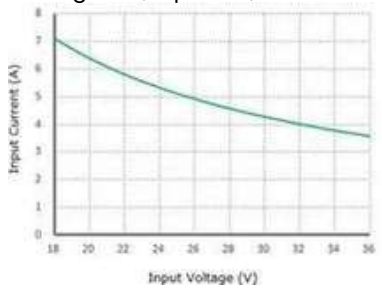
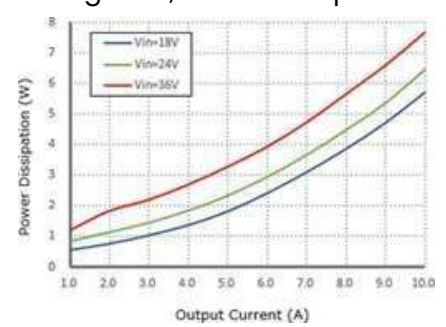


Figure 2, Power dissipation



SAFETY AND COMPLIANCE

Parameter	Test conditions or description			
safety approvals	EN 61000-6-3:2007/A1:2011/AC:2012 EN 55014-1:2006/A2:2011 EN 60950-1:2006/AC:2011			
enclosures	IP68			

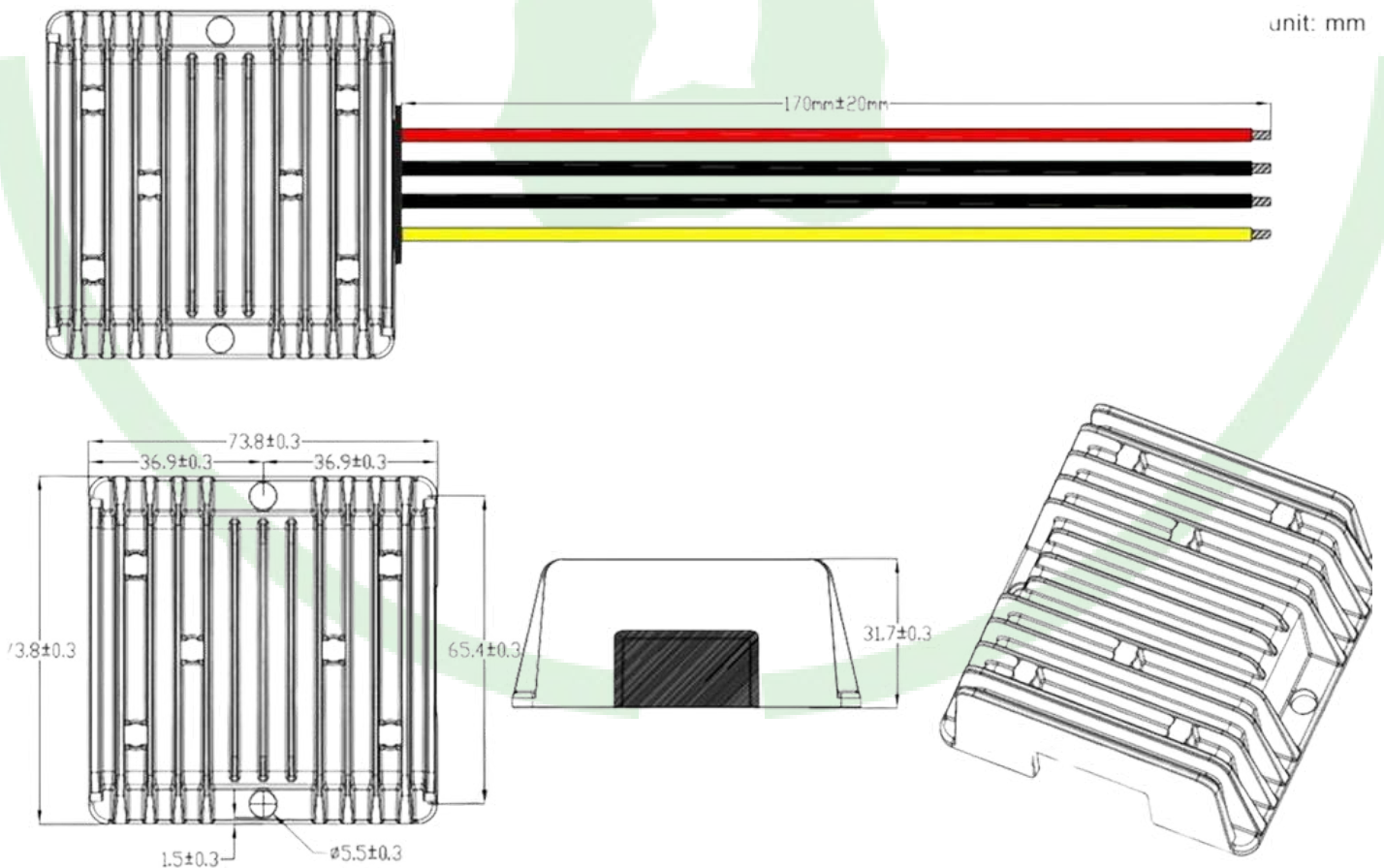
ENVIRONMENTAL

Parameter	Test conditions or description	Min	Typ	Max	Units
case operating temperature		40	25	85	°C
ambient temperature		-20		85	°C
storage temperature		40		95	°C
humidity				95	%

Thermal Consideration

Sufficient airflow should be provided to help ensure reliable operating of the RW-932-12-24-5V-75W. Therefore, thermal components are mounted on the top surface of the RW-932-12-24-5V-75W

to dissipate heat to the surrounding environment by conduction, convection, and radiation. Proper airflow can be verified by measuring the temperature at the middle of the base plate.



NEWTECH ENTERPRISES Ltd reserves the ©copyright and right of final interpretation.